

YUYAO SANXING MECHANICAL & ELECTRICAL TECHNOLOGY CO., LTD.

FD1 Linear Actuator



Specifications

Input voltage: 12V/24VDC

Load Capacity: 6000N max

Duty Cycle: 10%

Limit Switches: Built-in, Factory Preset

Speed: 4~ 20mm/s

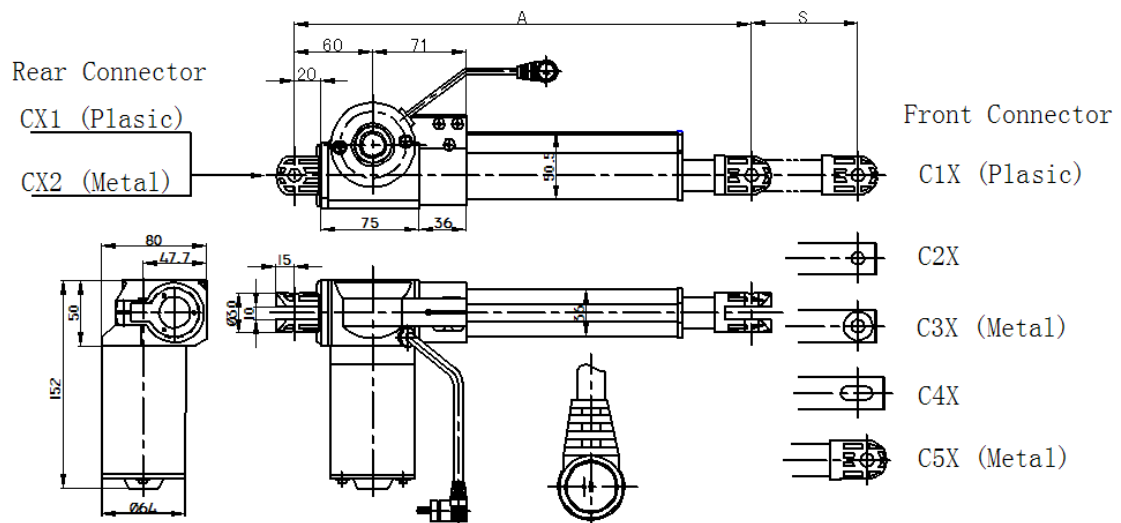
Operation Temperature: -20°C~ +40°C

Noise decibel: ≤48Db

Protection Class: IP48

Stroke: 50mm~ 500mm

Minimum installation distance: stroke + 160mm



FD3 Linear Actuator



Specifications

Input voltage: 12V/24VDC

Load Capacity: 6000N max

Duty Cycle: 10%

Limit Switches: Built-in, Factory Preset

Speed: 4~ 36mm/s

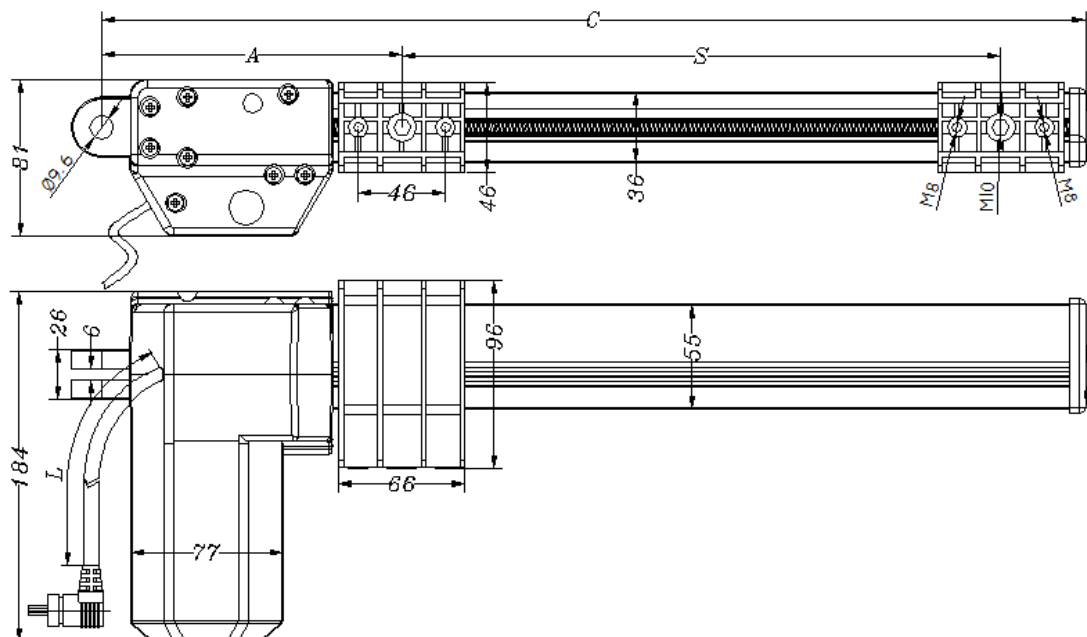
Operation Temperature: -20°C~ +40°C

Noise decibel: ≤48Db

Protection Class: IP48

Stroke: according to customer's requirements

Minimum installation distance: 156mm



CB3A Control Box



Specifications

Numbers of linear actuators: 1 or 2 or 3

Input voltage: 220V-240VAC/110V-130VAC 50HZ/60HZ

Output voltage: 24VDC

Duty cycle: 10%

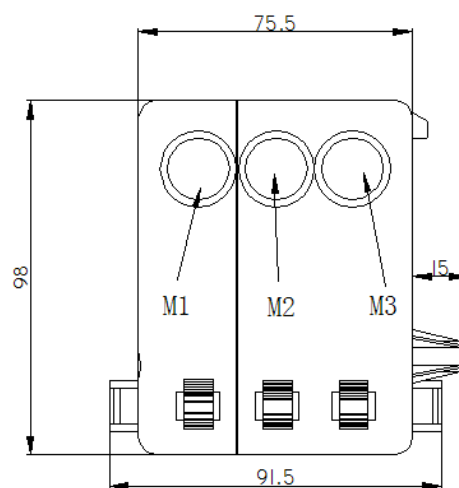
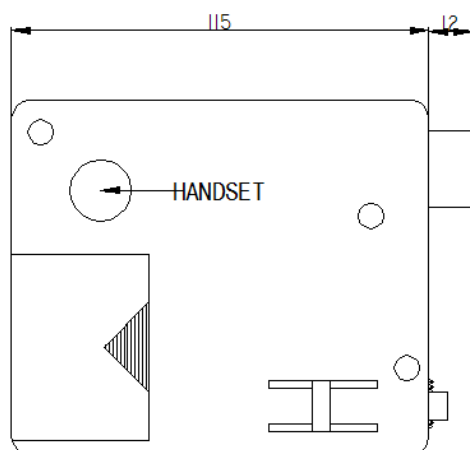
Rated current: 3.5A

Protection class: IP54

Operation temperature: -10°C~ +40°C

Color: Black

Other features: equipped with spare batteries, overload protection function



AC/DC Adapter



Specifications

Input voltage: 110V-240VAC 50HZ/60HZ

Output voltage: 29VDC

Duty cycle: 10%

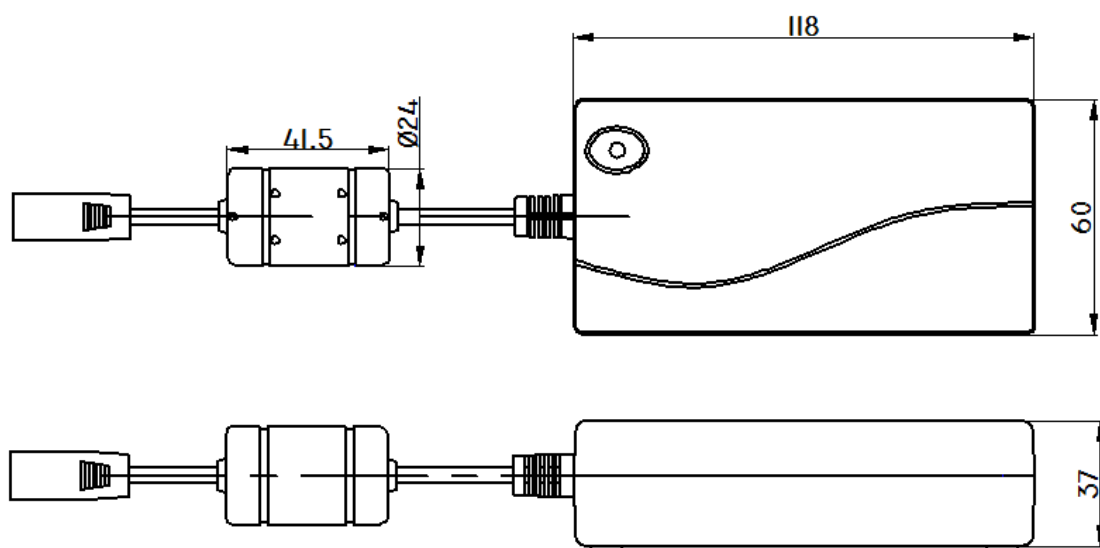
Rated current: 2A

Protection class: IP44

Operation temperature: -10°C ~ +40°C

Color: Black

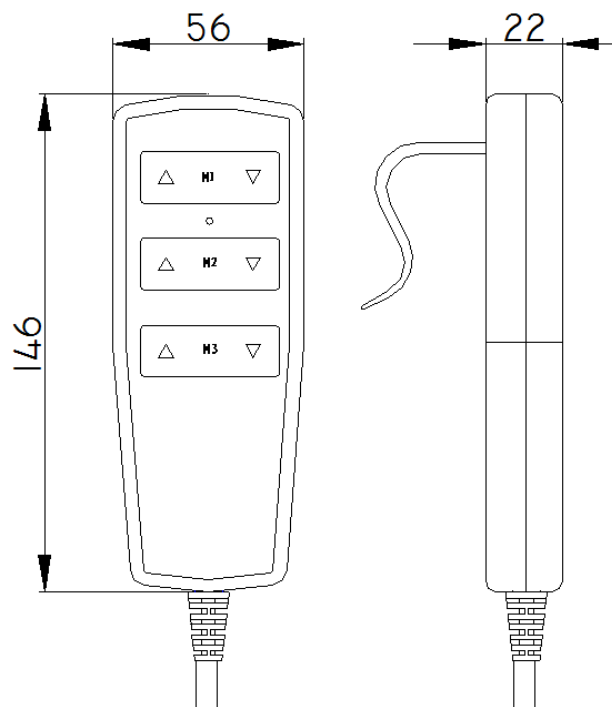
Other features: equipped with spare batteries, overload protection function



HA Handset



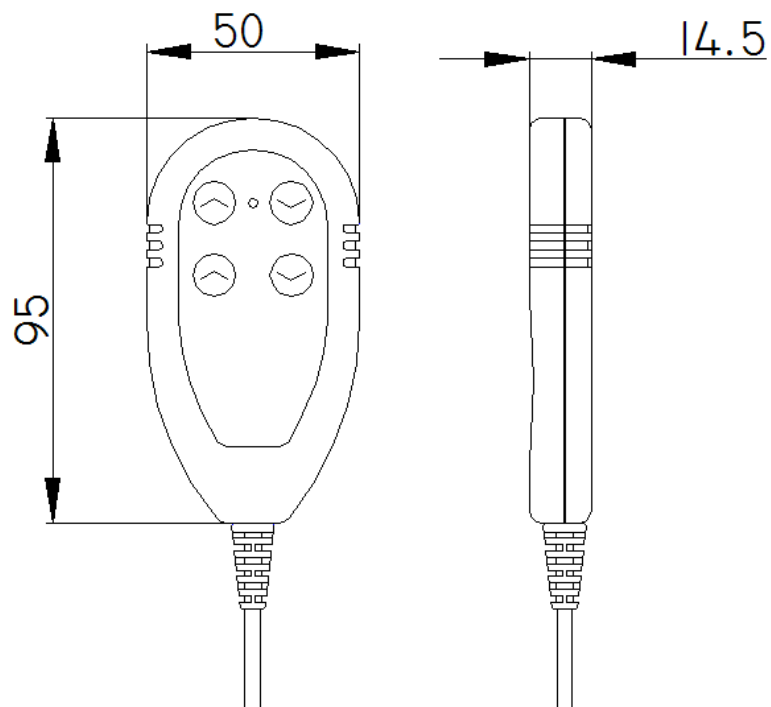
Model	Keys	functions
HA	2/4/6/8	It can control 1 or 2 or 3 actuators.



HB Handset



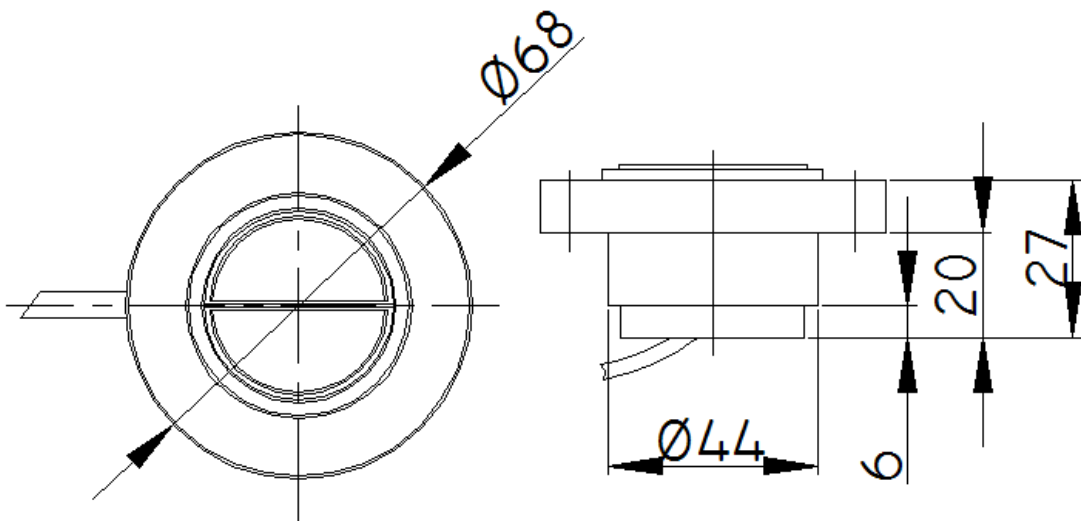
Model	Keys	functions
HB	2/4/6	It can control 1 or 2 or 3 actuators.



HD Handset



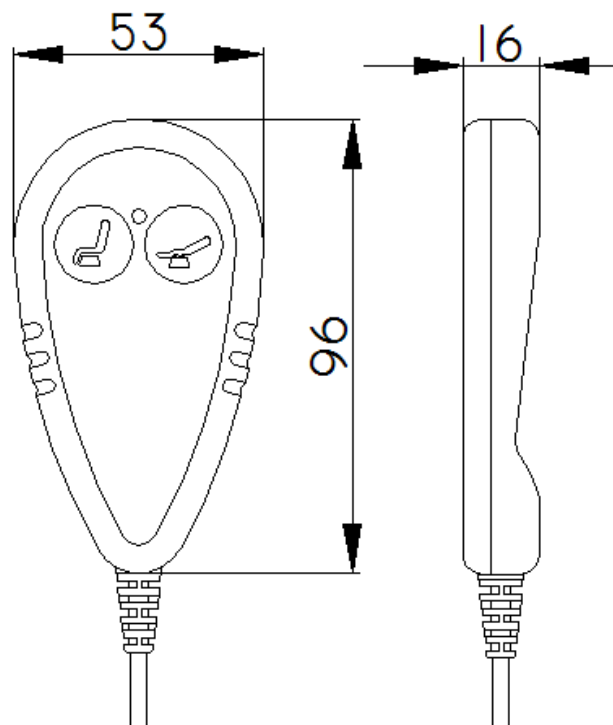
Model	Keys	functions
HD	2	It can control 1 actuator.



HF Handset



Model	Keys	functions
HF	2	It can control 1 actuator.



HG Handset



Model	Keys	functions
HG	2	It can control 1 actuator.

